



# PetLoop Pro

## USER MANUAL



**SCIENTIFICALLY TESTED & PROVEN EFFECTIVE**

Designed to promote circulation, reduce stiffness, and support mobility – perfect for aging pets or those recovering from joint discomfort. Easy to use, effective, and safe for daily use.


## Contents

1. Introduction
2. Device Description
3. Included in the Package
4. Who CAN and CAN'T Use PetLoop PRO?
5. Age Restrictions
6. Possible Side Effects and General Precautions
7. Controls
8. How To Use PetLoop PRO
  - 8.1 How to Start a Session
  - 8.2 How to Turn It Off
  - 8.3 Optional Settings
  - 8.4 How to check if the program is running?
  - 8.5 How to check if PetLoop PRO is charging?
  - 8.6 How to restart the same program?
  - 8.7 How and when to use the hard reset tool?
9. PetLoop PRO's Bluetooth® Settings
  - 9.1. Optional Bluetooth® Settings
  - 9.2 How and when to use the "LOCK PetLoop PRO" function in the app?
10. Light Indicators
11. PetLoop PRO strap
12. PetLoop PRO Placement
  - 12.1 How to Place PetLoop PRO on Your Pet
  - 12.2 General Tips
13. Test Tube - How to Use and What Does It Tell You?
14. How to Use PetLoop PRO Most Effectively
15. Maintenance and Cleaning
16. Customer Support
17. Troubleshooting Guide
18. Technical and System Specification
19. Classification
20. Safety Warnings
21. Manufacturer and Warranty Service
22. Disclaimer

PetLoop PRO is designed for adult users (18+) to apply PEMF therapy safely and effectively to their pets.

- The device should be operated only by adults.
- Children should not play with, clean, or service the device. These guidelines are in place to ensure user safety and maintain a positive experience.

### Power and Battery Information

- PetLoop PRO contains non-replaceable batteries.
- The device must only be powered using a Safety Extra-Low Voltage (SELV) source as indicated on the product label.
- Always use only the original power supply unit provided with the device.
-  **WARNING:** To recharge the battery, use only the detachable power supply unit included with this product. Using any other charger may cause damage or pose a safety risk.

## 1. Introduction

Thank you for choosing PetLoop PRO. We know you have many options, and we appreciate your trust. PetLoop PRO uses pulsed electromagnetic field (PEMF) technology to support your pet's comfort and wellbeing. Whether you're new to PEMF or have used similar products before, please read this user manual carefully before first use.

This manual will help you:

- set up PetLoop PRO correctly,
- choose the right device for your pet's needs,
- use and maintain the device safely and effectively.

For your pet's safety (and your peace of mind), please note:

- Do not disassemble or modify the device. This may be unsafe and voids the manufacturer's warranty.
- Always supervise your pet during initial sessions until you're confident with its use.
- PetLoop PRO is not a substitute for veterinary diagnosis or treatment. If your pet has a medical condition or an implanted medical device, consult your veterinarian before use.

We're committed to making PEMF simple, safe, and effective for everyday care. Let's get started.

## 2. Device Description

PetLoop PRO is a PEMF (Pulsed Electromagnetic Field) device for pets featuring a multi-coil structure and gesture controls, making it one of the most user-friendly and advanced PEMF solutions available.

By emitting scientifically supported frequencies through electromagnetic fields, PetLoop PRO helps support mobility, comfort, relaxation, and overall well-being in pets. The carefully designed coil arrangement allows the electromagnetic fields to be precisely targeted to the desired areas for optimal results.

The effectiveness of PEMF technology used in PetLoop PRO is supported by studies and numerous peer-reviewed scientific publications on the benefits of PEMF therapy for animals.

To learn more about the science behind PEMF and how it works, please visit: <https://petspemf.com/how-it-works/>

### 3. Included in the Package

1. PetLoop PRO
2. Charging dock
3. Micro USB cable
4. PetLoop PRO strap
6. Test tube
7. PetLoop PRO bag
8. Hard reset tool



## 4. Who CAN and CAN'T Use PetLoop PRO?

### CAN:

PetLoop PRO has been developed for general use in animals to safely and effectively support comfort, mobility, relaxation, and overall well-being.

- When PEMF therapy is regularly and properly applied, it can help:
- promote joint and muscle comfort,
- support faster recovery after activity or injury,
- encourage relaxation and calm behavior, and
- improve overall quality of life.

### CAN'T:

PEMF devices such as PetLoop PRO should not be used on pets that:

- have a pacemaker, or any other electronic or metal implant that may be affected by electromagnetic fields,
- are pregnant,
- have open wounds, bleeding, or active infections at the application site,
- have been recently diagnosed with cancer or tumors, unless advised otherwise by a veterinarian,
- are in close contact with a person who has a pacemaker or other implanted electronic device during the session.

**Note:** Always consult your veterinarian before starting PEMF therapy, especially if your pet is under ongoing treatment or has a chronic medical condition.

## 5. Age Restrictions

PetLoop PRO is designed to be operated only by adults (18 years of age or older).

The device should always be used by a responsible adult to ensure correct setup, safe operation, and proper supervision of the pet during therapy sessions.

Children should not handle, operate, clean, or service the device.

These precautions help ensure safe and effective use of PetLoop PRO and protect both the user and the pet.

## 6. Possible Side Effects and General Precautions

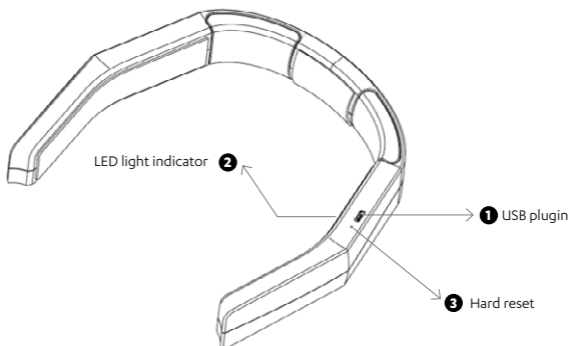
PetLoop PRO emits a pulsed electromagnetic field (PEMF).

There is no scientific evidence to suggest that the electromagnetic emissions from PetLoop PRO are harmful to pets or humans. However, if you have concerns about electromagnetic exposure, you should refrain from using the device.

PEMF side effects are rare, mild, and temporary, but may occur in animals that are highly sensitive to electromagnetic fields.

To support natural hydration and overall comfort, ensure your pet has access to fresh water before and after each session.

## 7. Controls



## 8. How To Use PetLoop PRO

### 8.1 How to Start a Session

#### 1. Charge the Device

Before first use, charge PetLoop PRO for at least 2.5 hours using the original charging cable.

The device automatically unlocks and powers on when connected to the charger.

#### 2. Position the Device

Place PetLoop PRO on or near the area of your pet's body you wish to treat. Make sure it's positioned comfortably and stays in place, using the attachment strap if needed.

#### 3. Start the Session

- Double-tap the device to start the therapy. You'll feel a short vibration, and the indicator light will begin blinking green once per second to confirm it's running.
- The session runs for 2 hours by default. If you would like to change the duration of the session, you can do so within the app.
- For shorter therapy, 30 minutes of use is sufficient for most pets.
- If left untouched, the device will automatically power off a few minutes after the program finishes.
- If you wish to repeat the session, simply double-tap again (confirmed by one vibration).

### 8.2 How to Turn It Off

If you want to stop the program early, simply tap the device again where the indicator light is, and it will end the 2-hour program.

Whether you let the program run for the full 2 hours or stop it early, the device will automatically turn off if it remains inactive for a while. You can easily wake it up again by tapping it.

### 8.3 Optional Settings

If you wish to turn off the light, vibration, or Bluetooth (Stimulation Status), you can connect your PetLoop PRO to the Petspemf app, available on the Google Play Store and Apple App Store.

You can also adjust the program duration within the app. In addition to the default 2-hour program, you have the option to select 30 minutes or 1 hour.

After saving your preferences, you may disconnect — the device will remember your settings for future sessions.

Tap PetLoop PRO twice to stop the current program or press the disconnect button in the app. It will turn off by itself in a few minutes.

#### **8.4 How to check if the program is running?**

Check if the green light is blinking (1 blink per second). Each stimulation program also starts with 1 short vibration. You can also use the test tube with a magnet to confirm the presence of a magnetic field.

#### **8.5 How to check if PetLoop PRO is charging?**

Orange light means it's charging. No light while charging means it's fully charged. Blinking red light (1 blink per second) means the battery is low.

#### **8.6 How to restart the same program?**

To restart the program, pick up PetLoop PRO and double tap it (followed by a single vibration) - the program will restart itself.

#### **8.7 How and when to use the hard reset tool?**

If you encounter an issue and your PetLoop PRO stops functioning, you can perform a hard reset. A hard reset tool is included in the package.

When should you use hard reset?

- No response when charging the device,
- Wrong LED light color when charging/done charging/starting a new program (check the light indicators described in the next chapter).

Always check if the battery is full. When resetting the device, insert the hard reset tool into the hole close to the micro USB port and push gently.

To keep you updated on the current state of the device, PetLoop PRO features three different color light indicators: orange, red, and green LED lights. Read more about them in the next chapter.

## 9. PetLoop PRO's Bluetooth® Settings

PetLoop PRO operates independently, without the need for a Bluetooth® connection or mobile app.

All standard programs are pre-installed and can be activated directly on the device using simple gesture controls.

### 9.1. Optional Bluetooth® Settings

Bluetooth® functionality is available only for adjusting device settings, such as:

- Light ON/OFF
- Vibration ON/OFF
- Bluetooth ON/OFF (Stimulation Status)
- Lock PetLoop PRO

If desired, users can connect PetLoop PRO to the app to customize these settings.

The app can be found in the Google Play Store or Apple App Store under the name "*PetspemP*".

Once adjustments are made, the Bluetooth® connection can be safely disconnected — the device will store and remember the chosen preferences.

### 9.2 How and when to use the "LOCK PetLoop PRO" function in the app?

If you wish to turn PetLoop PRO off completely and prevent it from starting accidentally, you can use the LOCK function.

## How to Lock the Device

1. Connect PetLoop PRO to the Petspemf app via Bluetooth®.
2. Open Settings and select “LOCK PetLoop PRO.”
3. The device will then shut down completely and remain locked until manually reactivated.

To unlock the device, simply plug it into a USB charging port. The device will power on automatically and be ready for use again.

## When to Use the Lock Function

Use this function when:

- Traveling,
- Storing the device for an extended period, or
- Carrying it in a bag or case to prevent accidental activation.

**Note:** The LOCK function is purely for safety and convenience. PetLoop PRO does not require a constant Bluetooth® connection, and all stored usage preferences remain saved on the device.

## 10. Light Indicators

The PetLoop PRO has an LED light located on the opposite side of the charging port. This light indicates the device's current status or operating state. The light can be green, orange, or red.

1. **Blinking red light:** The battery is low, and you have to recharge the device.
2. **Continuous orange light:** PetLoop PRO is charging, USB is plugged in.
3. **No light on when charging:** PetLoop PRO is fully charged.
4. **Blinking green light (1 blink per second):** The chosen stimulation program is running.
5. **Slowly blinking green light (1 blink per 5 seconds):** PetLoop PRO is on standby and ready to connect to the Petspemf app.
6. **Blinking orange light (1 blink per second):** PetLoop PRO is connected to the Petspemf app.

## 11. PetLoop PRO strap

PetLoop PRO is designed to be easily and comfortably attached to your pet's body using the adjustable strap system. The strap allows you to secure the PetLoop in the desired position — for example, around the neck, back, hips, or other target areas — depending on your pet's needs.

The strap consists of two parts:

- The main strap, suitable for small to medium-sized pets, and
- the black extension strap, included for larger breeds.

Before using the extension, we recommend testing the main strap alone to see if it fits securely and comfortably. If the PetLoop feels loose or doesn't stay in place, attach the extension strap to achieve a better fit.

The strap can also be used as a standalone holder when the device is placed on specific areas without wrapping it fully around the pet's body.

**Note:** Ensure that the strap is snug but not tight — it should hold PetLoop PRO in place comfortably without restricting movement or breathing.



## 12. PetLoop PRO Placement

PetLoop PRO contains five specially designed coils that generate precise pulsed electromagnetic fields (PEMF). These coils are powered by an integrated pulse generator located within the PetLoop PRO.

The unique multi-coil structure allows PetLoop PRO to adapt the stimulation zones according to the selected program, helping to target specific areas of your pet's body more efficiently.

Because of this design, PetLoop PRO can be placed in different positions depending on your pet's needs — for example, around the neck, hips, shoulders, or back.

**Note:** The positions shown in the examples below can be slightly adjusted for comfort and better fit.

Moving the PetLoop PRO by about an inch (3–4 cm) will not reduce its effectiveness or interfere with its function.

Always ensure the device fits snugly but comfortably, without restricting your pet's movement.

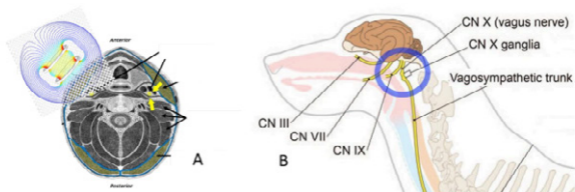
### 12.1 How to Place PetLoop PRO on Your Pet

#### For Harmony (Stress Relief & Relaxation)

Place PetLoop PRO Harmony gently around the upper neck, just below the jawline and behind the ears, where the vagosympathetic trunk and vagus nerve (CN X) are located.

- The coils should rest along both sides of the neck (see diagram).
- Adjust the strap so that the device fits snugly but comfortably — your pet should be able to move and breathe normally.
- Start the session by double-tapping the device (a short vibration confirms activation).
- Allow your pet to rest quietly during the session.

**Note:** Always monitor your pet during the first few sessions to ensure comfort. Avoid placing the device directly over the trachea or applying pressure to the throat.

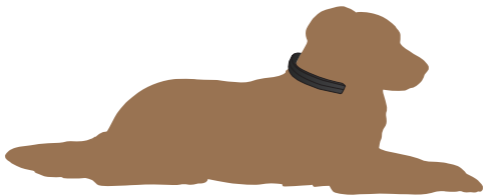


In the figures above, the optimal placement of coils is given:

A – view from above, B – side view

### Why This Position Helps:

The vagus nerve helps regulate relaxation, digestion, and heart rate. Gentle PEMF stimulation in this area can reduce stress, promote calm behavior, and support general wellness.



### For Recovery (Mobility & Joint Support)

The PetLoop PRO Recovery can be placed on different parts of your pet's body depending on the area you wish to support.

Common placements:

1. Neck area – For overall relaxation and energy balance.
  - Wrap PetLoop PRO gently around the neck, just below the collar.
  - Ensure it's snug but not tight (you should be able to fit two fingers between the strap and fur).

2. Hips or lower back – For joint stiffness or hip discomfort.
  - Position the device around the lower back or hips.
  - For larger breeds, use the included black extension strap to ensure even coverage.
  - Alternatively, you can simply lay the PetLoop PRO on top of your pet's back.
3. Chest or mid-body – For smaller dogs or short-bodied pets.
  - Place the PetLoop PRO gently around the chest, behind the front legs.
  - Make sure it does not restrict breathing or movement.

### Additional Tips

- Moving the PetLoop PRO slightly (about 1 inch / 3–4 cm) will not reduce its effectiveness.
- Always ensure a comfortable fit without restricting your pet's movement.
- Consistent daily use provides the best long-term benefits.



### 12.2 General Tips

- The strap should hold PetLoop PRO firmly but comfortably.
- Avoid placing the device over wet fur, open wounds, or dirty areas.
- The green light blinking every second confirms the device is active.
- After the session, double-tap to stop or simply leave it — PetLoop PRO will turn off automatically after a few minutes.

**Note:** For best results, use PetLoop PRO when your pet is calm or resting to allow the electromagnetic fields to work most effectively.

### 13. Test Tube - How to Use and What Does It Tell You?

Because PEMF (pulsed electromagnetic field) signals are non-invasive and not directly felt, PetLoop PRO includes a magnetic test tube to help you confirm that the device is active.

#### How to Use the Test Tube

1. Place the test tube on the coils — either on the top surface of the device or on both ends of PetLoop PRO — while the device is running.
2. When the device is active, you will:
  - hear a faint clicking or tapping sound inside the tube (the magnet reacting to electromagnetic pulses), and
  - see a green light blinking every second, indicating that the program is running normally.
3. When testing, make sure to place one side of the test tube against the coil on the PetLoop PRO and the other side directly against your ear.



#### What the Test Tube Tells You

The clicking sound and green blinking light confirm that PetLoop PRO is operating correctly and emitting pulsed electromagnetic fields.

By comparing the rhythm of the clicks, you can get a sense of the frequency of the pulses used in different programs.

**Note:** The test tube is for demonstration and verification only. It does not measure field strength or therapeutic performance but helps confirm that PetLoop PRO is functioning as intended.

## 14. How to Use PetLoop PRO Most Effectively

To achieve the best results and support your pet's overall well-being, follow these general recommendations:

### 1. Regular Use

For general wellness and comfort, it is recommended to use PetLoop PRO once or twice a day.

Consistent use helps maintain your pet's energy balance and supports natural recovery processes.

### 2. Session Duration

Each session lasts 2 hours by default. However, even 30–60 minutes per session can be sufficient, depending on your pet's needs and condition.

### 3. Hydration

Make sure your pet has access to fresh water before and after each session.

Proper hydration helps the body respond better to PEMF therapy and supports overall well-being.

### 4. Comfort and Environment

Use PetLoop PRO when your pet is calm and relaxed, such as during rest or after activity. Ensure the device fits comfortably and does not restrict movement or cause discomfort.

**Note:** Always observe your pet's behavior during sessions. If your pet shows any signs of discomfort, stop the session and allow some time before resuming.

## 15. Maintenance and Cleaning

- Do not use PetLoop PRO near water or when the device — or your hands — are wet.
- PetLoop PRO is not water-resistant.
- For cleaning, you may wipe the surface with a soft, slightly damp cloth.
- Avoid using cleaning agents, alcohol, or solvents, as these may damage the materials.
- Avoid excessive physical impact, twisting, or bending the device.
- Such actions may damage the copper coils and internal components.
- Always handle PetLoop PRO with care and store it in a dry, cool place when not in use.

**Note:** The manufacturer is not responsible for damage caused by improper handling, impact, or exposure to moisture.

## 16. Customer Support

We're always here to help you.

If you have any questions or need assistance with your PetLoop PRO, please contact us through:

- Email: [foryou@petspemf.com](mailto:foryou@petspemf.com)
- Community: <https://www.facebook.com/groups/508944894324398>
- Website: <https://petspemf.com>

Our team will be happy to guide you through setup, usage, and any other questions you may have.

## 17. Troubleshooting Guide



### **The LED light is not working**

- Recharge the battery fully.
- Check the USB charging cable and connector for proper contact.
- Perform a hard reset. Insert the hard reset tool into the hole close to the micro USB port and push gently.



### **The device was exposed to water**

PetLoop PRO is not waterproof. Short, accidental exposure to moisture usually does not cause permanent damage.

If the device has been exposed to water:

1. Power it off immediately.
2. Place it in a sealed bag or container filled with dry, uncooked rice for 2–3 days. The rice will act as a desiccant and help remove moisture.



### **PetLoop PRO does not seem to help the issue it was purchased for**

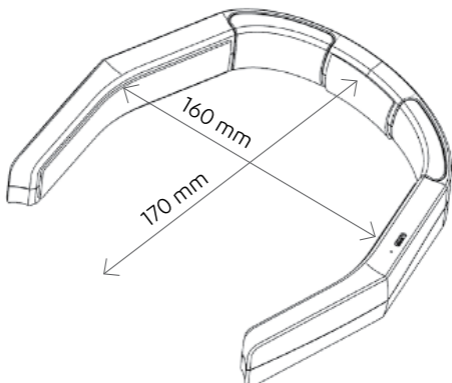
- Ensure the device is fully charged and that the green LED blinks every second during operation.
- Verify that the program has started (confirmed by one short vibration and a fast blinking green light).
- Make sure PetLoop PRO is positioned correctly. Try adjusting the placement — even small changes can improve results.
- Allow enough time for results: use PetLoop PRO regularly for 2–3 weeks.
- Most pets show improvement within the first few days of consistent use.



### **The problem improves, then returns later**

- If your pet's condition improved after initial use but symptoms return after stopping, consider:
  - Using PetLoop PRO for a longer period,
  - Ensuring regular daily sessions, and
  - Supporting your pet's health with proper nutrition and hydration.

## 18. Technical and System Specification



<b>Operating system</b>	Android 5.0 and above iOS 7 and above
<b>Waveform</b>	Trapezoidal
<b>Frequency Range</b>	15.2 - 50.6 Hz
<b>Maximum Magnetic Field Intensity</b>	25 gauss (2.5 mT)
<b>Program Duration</b>	2 hours
<b>Power</b>	Internal rechargeable battery
<b>Weight</b>	105 g
<b>Dimensions</b>	160 mm (6.3 in) x 170 mm (6.7 in) x 28 mm (1.1 in)
<b>Warranty</b>	2 years

## 19. Classification

PetLoop PRO is classified as a household device.

### CE regulatory information:

- Safety: EN 60335-1
- EMC EN 303 4461 (EN 55014-1/2)
- Radio Equipment Directive (RED) 2014/53/EU

### FCC regulatory information:

- device complies with part 15 of the FCC Rules



We are proud to use recyclable materials for our packaging to help protect the environment.

## 20. Safety Warnings

a) Do not expose PetLoop PRO to fire, place it near a hot oven, or mechanically crush or cut the device or its battery, as this may result in an explosion.

(b) Do not expose PetLoop PRO to extremely high temperatures, as this may result in an explosion or leakage of flammable liquid or gas.

(c) Do not expose PetLoop PRO to extremely low air pressure, as this may result in an explosion or leakage of flammable liquid or gas.

(d) Don't attempt to replace PetLoop PRO's battery yourself – you may damage the battery, which could cause overheating and/or injuries

## 21. Manufacturer and Warranty Service

MANUFACTURER

MDCN TECH Ltd

Made in Europe

WARRANTY SERVICE

Contact

Email: [foryou@petspemf.com](mailto:foryou@petspemf.com)

Our Warranty Policy covers both physical and digital defects of the product. All devices purchased through Petspemf.com or any other official sales channels of MDCN Tech Ltd are protected under this warranty.

If a PetLoop PRO device shows physical or digital defects that affect its normal operation and this is verified by our Customer Support team, the customer is eligible for either a replacement or direct compensation, in accordance with this Warranty Policy.

The warranty is valid for two (2) years from the date the device is received by the customer.

If a defect is verified and a replacement is approved, a new product will be shipped to the customer using the original order address and shipping method, unless otherwise requested.

We do not provide replacements or refunds for any products designated as non-returnable on our website.



#### **The Warranty Does Not Apply In The Following Cases:**

- Damage or failure of the device caused by improper use or handling.
- Damage or contamination resulting from inadequate protection or exposure to water, dirt, or extreme conditions.
- If the device's hardware or software has been opened, accessed, or modified from its original state.
- Damage resulting from unauthorized repairs or use of non-original accessories.
- Devices that show signs of excessive physical wear or impact.

## **22. Disclaimer**

MDCN TECH Ltd and its distributors offer low-risk, general wellness products designed to:

- promote a healthy lifestyle,
- support and maintain good health, and
- reduce the impact or risk of certain chronic conditions where healthy habits play an essential role in improving overall well-being.

The statements regarding PetLoop PRO have not been evaluated by the U.S. Food and Drug Administration (FDA).

PetLoop PRO and other PEMF products are not intended to diagnose, treat, cure, or prevent any disease or medical condition.

PEMF technology addresses energetic aspects that may assist the body's natural self-recovery processes and help maintain energetic balance.

The low- and medium-intensity electromagnetic fields generated by PetLoop PRO operate at energy levels similar to natural geomagnetic fields found in the environment.

### **Contraindications**

PEMF devices, including PetLoop PRO, should not be used by or near:

- individuals or animals with pacemakers, cochlear implants, or other electronic or metal implants,
- individuals or animals who are pregnant,
- individuals or animals with epilepsy or active bleeding, or
- organ transplant recipients or those on immunosuppressive therapy.

### **Medical Advice**

PetLoop PRO is a general wellness device, not a medical instrument.

If your pet is receiving veterinary care or medical treatment, always consult your veterinarian before using PEMF therapy.

This information is not a substitute for professional medical or veterinary advice.

If you or your pet have, or suspect having, a medical problem, please consult a qualified healthcare or veterinary professional.

MDCN TECH Ltd is not a licensed medical or healthcare provider and does not diagnose, examine, or treat medical conditions of any kind.



App store



Google play



[www.petspemf.com](http://www.petspemf.com)